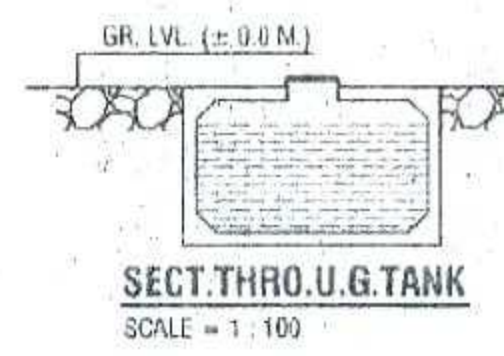
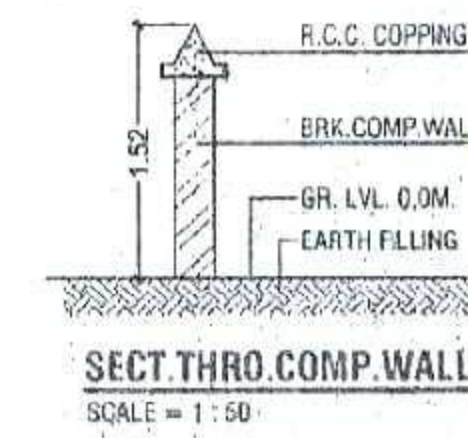


BUILT-UP AREA STATEMENT FOR REHAB BLDG.

FLOORS	CONST. AREA	STR & LIFT AREA	S.T.P. AREA	AREA OF REFUGE	METER ROOM AREA	1-2-3-4-5 REHAB COMP	PASSAGE AREA	AREA OF BAL/WADI	AREA OF WELFARE CENTRE	AREA OF SOCIETY OFFICE	7-8-9-10 REHAB ESI	12+6 TOTAL B.U. AREA	SALE AREA		FUNGIBLE AREA		1+16 TOTAL CONST. AREA		
													SHOPS	TOI. AREA	Perm. nute	Prop. sale		Perm. resi.	Prop. resi.
GR. FLR.	213.39	55.16			4.78							153.45	123.45	4.43	25.57	25.57			
1ST FLR.	399.89	45.05				154.84	23.45	24.34	24.34	23.49		59.22							
2ND FLR.	215.14	44.99				170.15	23.45					146.70							
3RD FLR.	215.14	44.99				170.15	23.45					146.70							
4TH FLR.	215.14	44.99				170.15	23.45					146.70							
5TH FLR.	215.14	44.99				170.15	23.45					146.70							
6TH FLR.	215.14	44.99				170.15	23.45					146.70							
7TH FLR.	215.14	44.99				170.15	23.45					146.70							
8TH FLR.	215.14	44.99		58.90		111.25	23.45					87.80							
9TH FLR.	215.14	44.99				170.15	23.45					146.70							
10TH FLR.	215.14	44.99				170.15	23.45					146.70							
11TH FLR.	215.14	44.99				170.15	23.45					146.70							
12TH FLR.	215.14	44.99				170.15	23.45					146.70							
13TH FLR.	215.14	44.99				170.15	23.45					146.70							
14TH FLR.	215.14	44.99				170.15	23.45					146.70							
15TH FLR.	215.14	44.99		29.50		140.25	23.45					116.80							
16TH FLR.	215.14	44.99				170.15	23.45					146.70							
17TH FLR.	215.14	44.99				170.15	23.45					146.70							
TOTAL	3855.52	820.05		88.80	4.78	2788.44	398.65	24.34	24.34	23.49		2317.62	123.45	4.43	25.57	25.57	811.17	444.87	4300.39



PARKING AREA STATEMENT

SALE COMM. AREA
 ONE PARKING FOR EVERY 40.00 SQMT OF AREA UP TO 800 SQ.MTS
 TOTAL AREA PROPOSED = 153.45 SqMt
 ie 153.45 / 40 = 3.84 SAY 4 nos
 TOTAL = 4 NOS
 VISITORS = 2 NOS
 TOTAL PARKING REQD = 6 NOS
 TOTAL PARKING PROV = 6 NOS

MECHANICAL PARKING TOWER PROPOSED FOR SALE + REHAB BUILDING

CARPET AREA STATEMENT
 TYPICAL FLOOR
 M.P. ROOM - 4.40 X 2.68 = 11.79 SQ.MT.
 ROOM - 2.73 X 3.05 = 8.33 SQ.MT.
 TOILET - 1.08 X 2.30 = 2.48 SQ.MT.
 W.C. - 1.08 X 1.25 = 1.35 SQ.MT.
 PASS - 1.20 X 0.90 = 1.08 SQ.MT.
 TOTAL = 25.03 SQ.MT.

CARPET AREA STATEMENT
 TYPICAL FLOOR
 M.P. ROOM - 3.68 X 2.66 = 9.86 SQ.MT.
 ALCOVE - 2.08 X 1.83 = 3.81 SQ.MT.
 ROOM - 2.40 X 2.43 = 5.83 SQ.MT.
 TOILET - 2.10 X 1.26 = 2.65 SQ.MT.
 W.C. - 1.55 X 1.07 = 1.66 SQ.MT.
 PASS - 1.14 X 1.07 = 1.22 SQ.MT.
 TOTAL = 25.03 SQ.MT.

BUILT UP AREA CALCULATION

GROUND FLOOR
 A 13.72 X 23.41 X 1 NO = 321.19 SQ.MT.
 TOTAL ADDITION = 321.19 SQ.MT. X

DEDUCTIONS

1	0.98 X 6.73 X 1 NO	= 6.60 SQ.MT.
2	2.44 X 4.14 X 1 NO	= 10.10 SQ.MT.
3	4.55 X 1.00 X 1 NO	= 4.55 SQ.MT.
4	3.02 X 6.17 X 1 NO	= 18.63 SQ.MT.
5	0.16 X 3.32 X 1 NO	= 0.53 SQ.MT.
6	1.2 X 3.59 X 1.28 X 1 NO	= 2.30 SQ.MT.
7	1.2 X 2.50 X 1.21 X 1 NO	= 1.51 SQ.MT.
8	5.29 X 5.18 X 1 NO	= 27.40 SQ.MT.
9	3.47 X 2.83 X 1 NO	= 9.82 SQ.MT.
10	1.2 X 0.28 X 0.11 X 1 NO	= 0.02 SQ.MT.
11	1.72 X 3.45 X 1 NO	= 5.93 SQ.MT.
12	2.32 X 2.78 X 1 NO	= 6.45 SQ.MT.
13	5.70 X 0.90 X 1 NO	= 5.13 SQ.MT.
14	4.47 X 1.40 X 1 NO	= 6.26 SQ.MT.
15	2.32 X 0.75 X 1 NO	= 1.74 SQ.MT.
E1	0.50 X 1.65 X 1 NO	= 0.83 SQ.MT.
TOTAL DEDUCTION		= 107.80 SQ.MT.
TOTAL BUILT UP AREA (X - Y1)		= 213.39 SQ.MT. Y1

STAIRCASE & LIFT AREA

GROUND FLOOR

S1	1/2 X 0.28 X 0.11 X 1 NO	= 0.02 SQ.MT.
S2	1.70 X 0.28 X 1 NO	= 0.44 SQ.MT.
S3	1.82 X 2.58 X 1 NO	= 4.70 SQ.MT.
S4	1.73 X 2.68 X 1 NO	= 4.64 SQ.MT.
S5	0.35 X 2.83 X 1 NO	= 0.99 SQ.MT.
S6	1.80 X 1.00 X 1 NO	= 1.80 SQ.MT.
S6A	1.65 X 0.99 X 1 NO	= 1.63 SQ.MT.
S7	2.28 X 4.14 X 1 NO	= 9.36 SQ.MT.
S8	1.50 X 1.65 X 1 NO	= 2.48 SQ.MT.
S9	2.00 X 1.50 X 1 NO	= 3.00 SQ.MT.
S10	0.15 X 3.30 X 1 NO	= 0.50 SQ.MT.
S11	5.15 X 3.45 X 1 NO	= 17.77 SQ.MT.
S12	4.55 X 1.72 X 1 NO	= 7.83 SQ.MT.
TOTAL STAIR & LIFT AREA PER FL (GROUND FLR)		= 55.16 SQ.MT. Y2

METER ROOM AREA CALCULATION

GROUND FLOOR
 M1 4.55 X 1.05 X 1 NO = 4.78 SQ.MT.
 TOTAL METER ROOM AREA (GROUND FLOOR) = 4.78 SQ.MT. Y3

NET BUILT UP AREA [X1 + (Y2+Y3)] = 153.45 SQ.MT.

FUNGIBLE AREA CALCULATION

GROUND FLOOR
METER ROOM AREA CALCULATION
 M1 4.55 X 1.05 X 1 NO = 4.78 SQ.MT.
 TOTAL METER ROOM AREA CALC. (GROUND FLOOR) = 4.78 SQ.MT. Z1
ELEC.DUCT AREA CALCULATION
 E1 0.50 X 1.65 X 1 NO = 0.83 SQ.MT.
 TOTAL ELEC.DUCT AREA CALC. (GROUND FLOOR) = 0.83 SQ.MT. Z2
 TOTAL FUNGIBLE AREA. Z1 + Z2
 4.78 + 0.83 = 5.61 SQ.MT.

GROUND FLOOR & AREA STATEMENT

Approved subject to the condition mentioned in this office permission Letter No. 213/14/17/18/19/20/21/22/23/24/25/26/27/28/29/30/31/32/33/34/35/36/37/38/39/40/41/42/43/44/45/46/47/48/49/50/51/52/53/54/55/56/57/58/59/60/61/62/63/64/65/66/67/68/69/70/71/72/73/74/75/76/77/78/79/80/81/82/83/84/85/86/87/88/89/90/91/92/93/94/95/96/97/98/99/100/101/102/103/104/105/106/107/108/109/110/111/112/113/114/115/116/117/118/119/120/121/122/123/124/125/126/127/128/129/130/131/132/133/134/135/136/137/138/139/140/141/142/143/144/145/146/147/148/149/150/151/152/153/154/155/156/157/158/159/160/161/162/163/164/165/166/167/168/169/170/171/172/173/174/175/176/177/178/179/180/181/182/183/184/185/186/187/188/189/190/191/192/193/194/195/196/197/198/199/200/201/202/203/204/205/206/207/208/209/210/211/212/213/214/215/216/217/218/219/220/221/222/223/224/225/226/227/228/229/230/231/232/233/234/235/236/237/238/239/240/241/242/243/244/245/246/247/248/249/250/251/252/253/254/255/256/257/258/259/260/261/262/263/264/265/266/267/268/269/270/271/272/273/274/275/276/277/278/279/280/281/282/283/284/285/286/287/288/289/290/291/292/293/294/295/296/297/298/299/300/301/302/303/304/305/306/307/308/309/310/311/312/313/314/315/316/317/318/319/320/321/322/323/324/325/326/327/328/329/330/331/332/333/334/335/336/337/338/339/340/341/342/343/344/345/346/347/348/349/350/351/352/353/354/355/356/357/358/359/360/361/362/363/364/365/366/367/368/369/370/371/372/373/374/375/376/377/378/379/380/381/382/383/384/385/386/387/388/389/390/391/392/393/394/395/396/397/398/399/400/401/402/403/404/405/406/407/408/409/410/411/412/413/414/415/416/417/418/419/420/421/422/423/424/425/426/427/428/429/430/431/432/433/434/435/436/437/438/439/440/441/442/443/444/445/446/447/448/449/450/451/452/453/454/455/456/457/458/459/460/461/462/463/464/465/466/467/468/469/470/471/472/473/474/475/476/477/478/479/480/481/482/483/484/485/486/487/488/489/490/491/492/493/494/495/496/497/498/499/500/501/502/503/504/505/506/507/508/509/510/511/512/513/514/515/516/517/518/519/520/521/522/523/524/525/526/527/528/529/530/531/532/533/534/535/536/537/538/539/540/541/542/543/544/545/546/547/548/549/550/551/552/553/554/555/556/557/558/559/560/561/562/563/564/565/566/567/568/569/570/571/572/573/574/575/576/577/578/579/580/581/582/583/584/585/586/587/588/589/590/591/592/593/594/595/596/597/598/599/600/601/602/603/604/605/606/607/608/609/610/611/612/613/614/615/616/617/618/619/620/621/622/623/624/625/626/627/628/629/630/631/632/633/634/635/636/637/638/639/640/641/642/643/644/645/646/647/648/649/650/651/652/653/654/655/656/657/658/659/660/661/662/663/664/665/666/667/668/669/670/671/672/673/674/675/676/677/678/679/680/681/682/683/684/685/686/687/688/689/690/691/692/693/694/695/696/697/698/699/700/701/702/703/704/705/706/707/708/709/710/711/712/713/714/715/716/717/718/719/720/721/722/723/724/725/726/727/728/729/730/731/732/733/734/735/736/737/738/739/740/741/742/743/744/745/746/747/748/749/750/751/752/753/754/755/756/757/758/759/760/761/762/763/764/765/766/767/768/769/770/771/772/773/774/775/776/777/778/779/780/781/782/783/784/785/786/787/788/789/790/791/792/793/794/795/796/797/798/799/800/801/802/803/804/805/806/807/808/809/810/811/812/813/814/815/816/817/818/819/820/821/822/823/824/825/826/827/828/829/830/831/832/833/834/835/836/837/838/839/840/841/842/843/844/845/846/847/848/849/850/851/852/853/854/855/856/857/858/859/860/861/862/863/864/865/866/867/868/869/870/871/872/873/874/875/876/877/878/879/880/881/882/883/884/885/886/887/888/889/890/891/892/893/894/895/896/897/898/899/900/901/902/903/904/905/906/907/908/909/910/911/912/913/914/915/916/917/918/919/920/921/922/923/924/925/926/927/928/929/930/931/932/933/934/935/936/937/938/939/940/941/942/943/944/945/946/947/948/949/950/951/952/953/954/955/956/957/958/959/960/961/962/963/964/965/966/967/968/969/970/971/972/973/974/975/976/977/978/979/980/981/982/983/984/985/986/987/988/989/990/991/992/993/994/995/996/997/998/999/1000/1001/1002/1003/1004/1005/1006/1007/1008/1009/1010/1011/1012/1013/1014/1015/1016/1017/1018/1019/1020/1021/1022/1023/1024/1025/1026/1027/1028/1029/1030/1031/1032/1033/1034/1035/1036/1037/1038/1039/1040/1041/1042/1043/1044/1045/1046/1047/1048/1049/1050/1051/1052/1053/1054/1055/1056/1057/1058/1059/1060/1061/1062/1063/1064/1065/1066/1067/1068/1069/1070/1071/1072/1073/1074/1075/1076/1077/1078/1079/1080/1081/1082/1083/1084/1085/1086/1087/1088/1089/1090/1091/1092/1093/1094/1095/1096/1097/1098/1099/1100/1101/1102/1103/1104/1105/1106/1107/1108/1109/1110/1111/1112/1113/1114/1115/1116/1117/1118/1119/1120/1121/1122/1123/1124/1125/1126/1127/1128/1129/1130/1131/1132/1133/1134/1135/1136/1137/1138/1139/1140/1141/1142/1143/1144/1145/1146/1147/1148/1149/1150/1151/1152/1153/1154/1155/1156/1157/1158/1159/1160/1161/1162/1163/1164/1165/1166/1167/1168/1169/1170/1171/1172/1173/1174/1175/1176/1177/1178/1179/1180/1181/1182/1183/1184/1185/1186/1187/1188/1189/1190/1191/1192/1193/1194/1195/1196/1197/1198/1199/1200/1201/1202/1203/1204/1205/1206/1207/1208/1209/1210/1211/1212/1213/1214/1215/1216/1217/1218/1219/1220/1221/1222/1223/1224/1225/1226/1227/1228/1229/1230/1231/1232/1233/1234/1235/1236/1237/1238/1239/1240/1241/1242/1243/1244/1245/1246/1247/1248/1249/1250/1251/1252/1253/1254/1255/1256/1257/1258/1259/1260/1261/1262/1263/1264/1265/1266/1267/1268/1269/1270/1271/1272/1273/1274/1275/1276/1277/1278/1279/1280/1281/1282/1283/1284/1285/1286/1287/1288/1289/1290/1291/1292/1293/1294/1295/1296/1297/1298/1299/1300/1301/1302/1303/1304/1305/1306/1307/1308/1309/1310/1311/1312/1313/1314/1315/1316/1317/1318/1319/1320/1321/1322/1323/1324/1325/1326/1327/1328/1329/1330/1331/1332/1333/1334/1335/1336/1337/1338/1339/1340/1341/1342/1343/1344/1345/1346/1347/1348/1349/1350/1351/1352/1353/1354/1355/1356/1357/1358/1359/1360/1361/1362/1363/1364/1365/1366/1367/1368/1369/1370/1371/1372/1373/1374/1375/1376/1377/1378/1379/1380/1381/1382/1383/1384/1385/1386/1387/1388/1389/1390/1391/1392/1393/1394/1395/1396/1397/1398/1399/1400/1401/1402/1403/1404/1405/1406/1407/1408/1409/1410/1411/1412/1413/1414/1415/1416/1417/1418/1419/1420/1421/1422/1423/1424/1425/1426/1427/1428